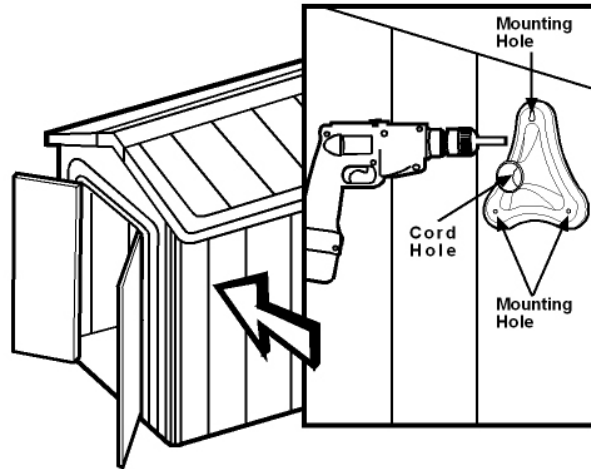
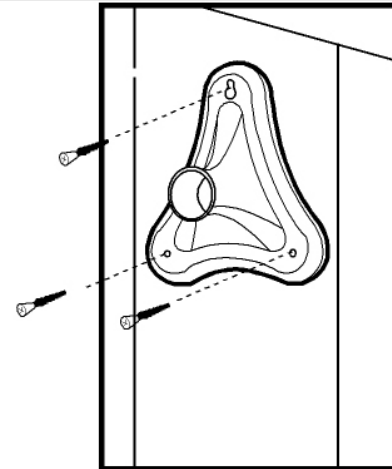


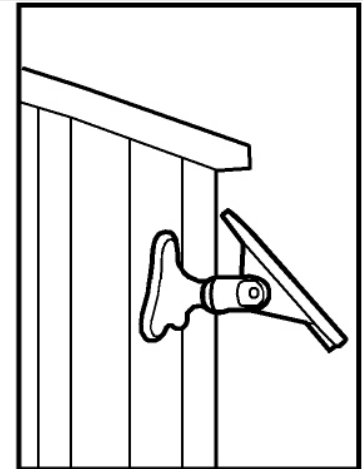
1. Select the most suitable exterior Wall or Roof of your shed for installation of the Solar Module. Preferably, the Solar Module should be installed on a South facing exterior wall, or anywhere on the roof of your shed.



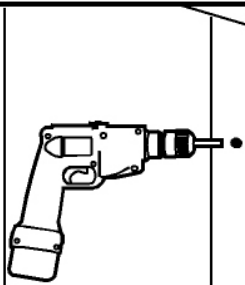
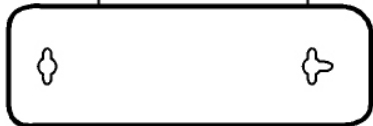
2. Use the Wall Mount (or the template on the rear side of the User Manual) to Mark & Drill the 3 x $\frac{1}{16}$ " (1.5mm) Pilot Holes to mount the Solar Module and 1 x $\frac{1}{4}$ " (6mm) Hole for the Cord.



3. Mount the Solar Module on the Exterior Wall or Roof. Slide in the Cord via the Cord Hole. Use 3 x $\frac{1}{8}$ " (3mm) Screws to fasten the Solar Module.

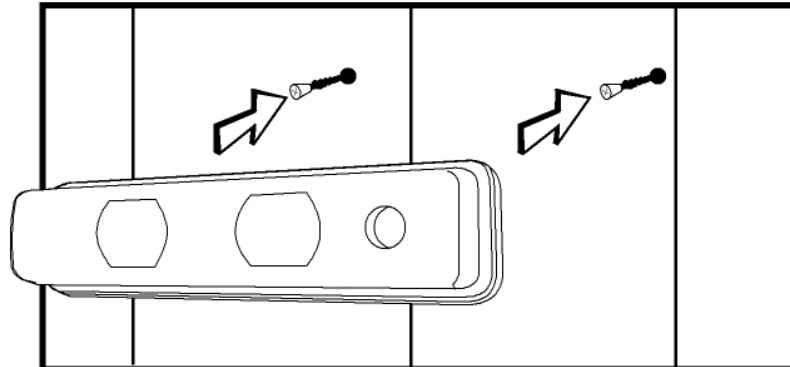


4. Position the Solar Cell facing the sun direction to collect maximum solar energy. The Solar Panel can swivel 360 & up-down for optimum adjustment.



5. Select the desired location for the Sensor Light fixture, inside the shed. Ensure the Solar Module Cord reaches the light fixture.

6. Use the Light Fixture Base to Mark & Drill 2 mounting holes. Use 2 Screws to fasten the Light Fixture Base to the wall.



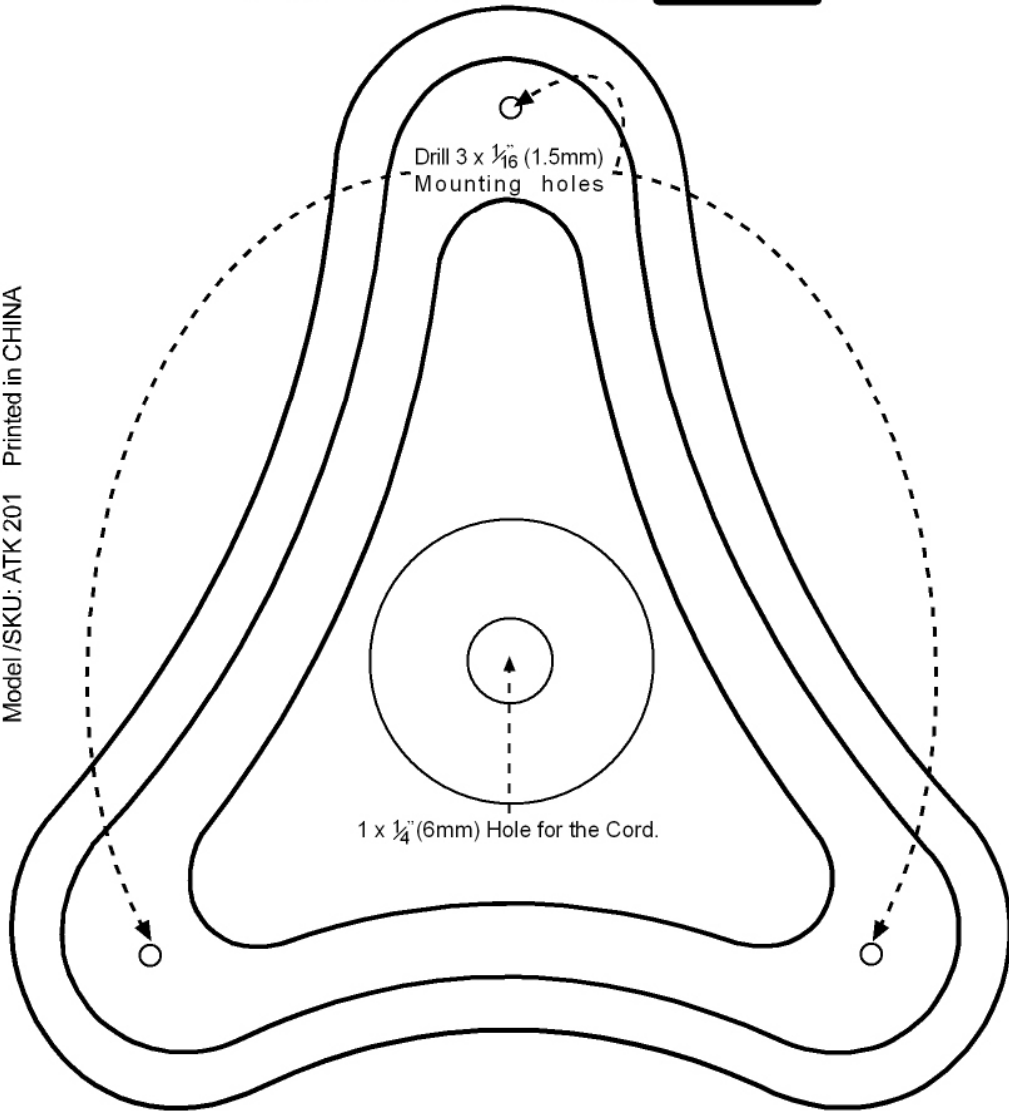
7. Fasten 2 Screws to the Wall and Slide the Light Fixture Base onto the 2 Screws (the 2 Screws fit into the 2 Keyholes in the Fixture Base).

TIP: For best results, place the Sensor Light fixture opposite the entrance of the shed so that the built-in Passive Infra-Red(PIR) Sensor detects your motion as soon as you enter the shed.

8. Plug the Solar Module Cord into the "DC-IN" Socket in the Light Fixture. Charge for 24 Hours for best performance.

REMEMBER to shut off the lamp when leaving the shed to preserve Battery charge.

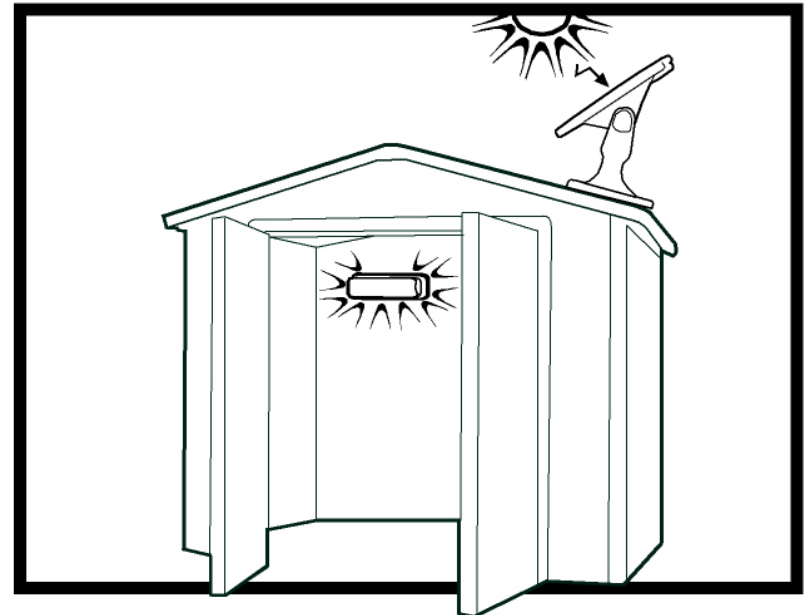
DECK / WALL / ROOF MOUNT **TEMPLATE**



User Manual

Solar SensorLite™

SOLAR LIGHTING SOLUTION FOR YOUR SHED



Solar SensorLite™ is the ultimate cordless light for wooden, metal or resin sheds. It uses Solar Energy to charge the rechargeable battery during the day and light the shed at night when needed. It is safe and work on low voltage

© COPYRIGHT RESERVED 2005



SENSOR LIGHT FIXTURE BASE **TEMPLATE**



Model/SKU: ATK 201 Printed in CHINA